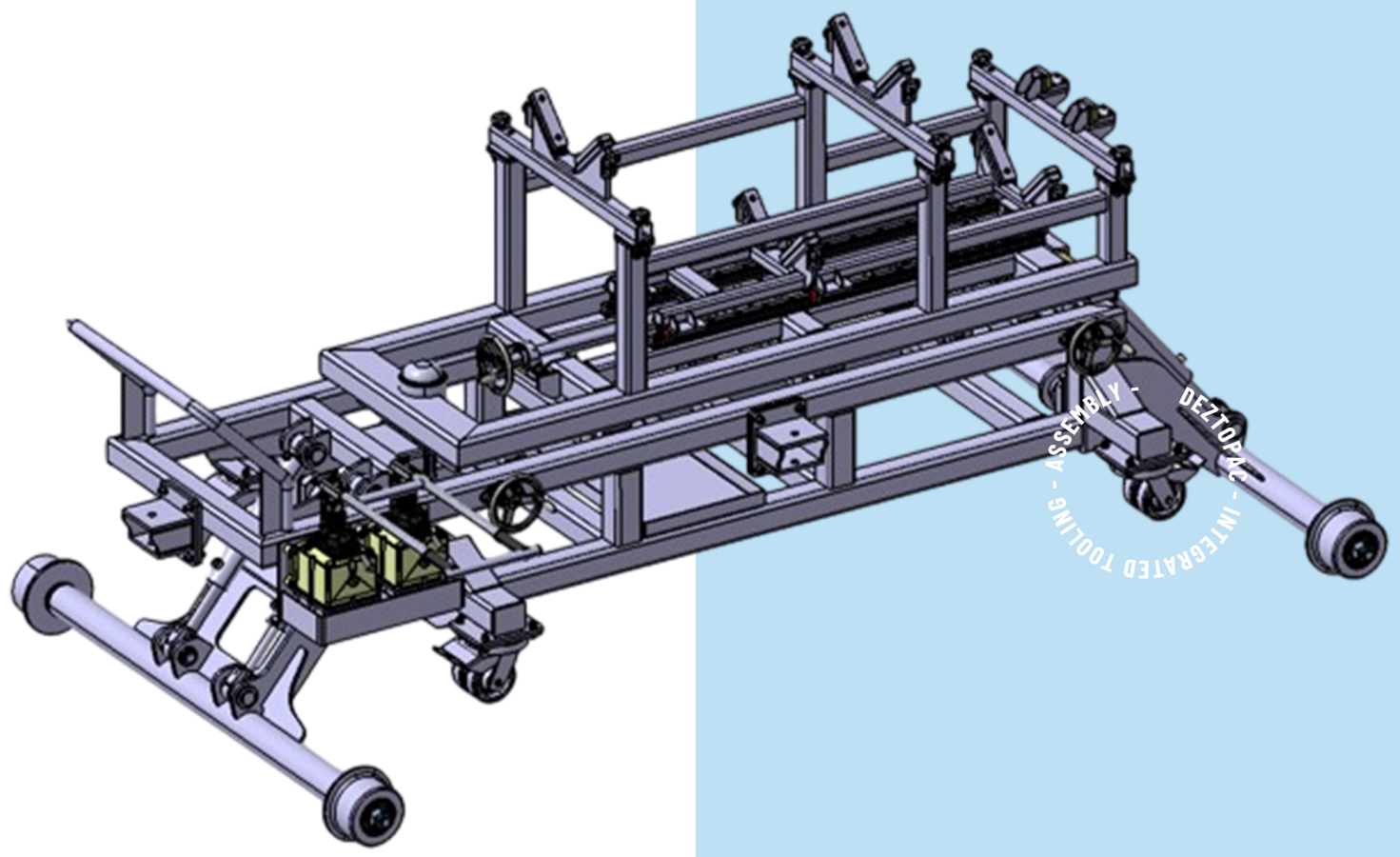


INTEGRATED

TOOLING



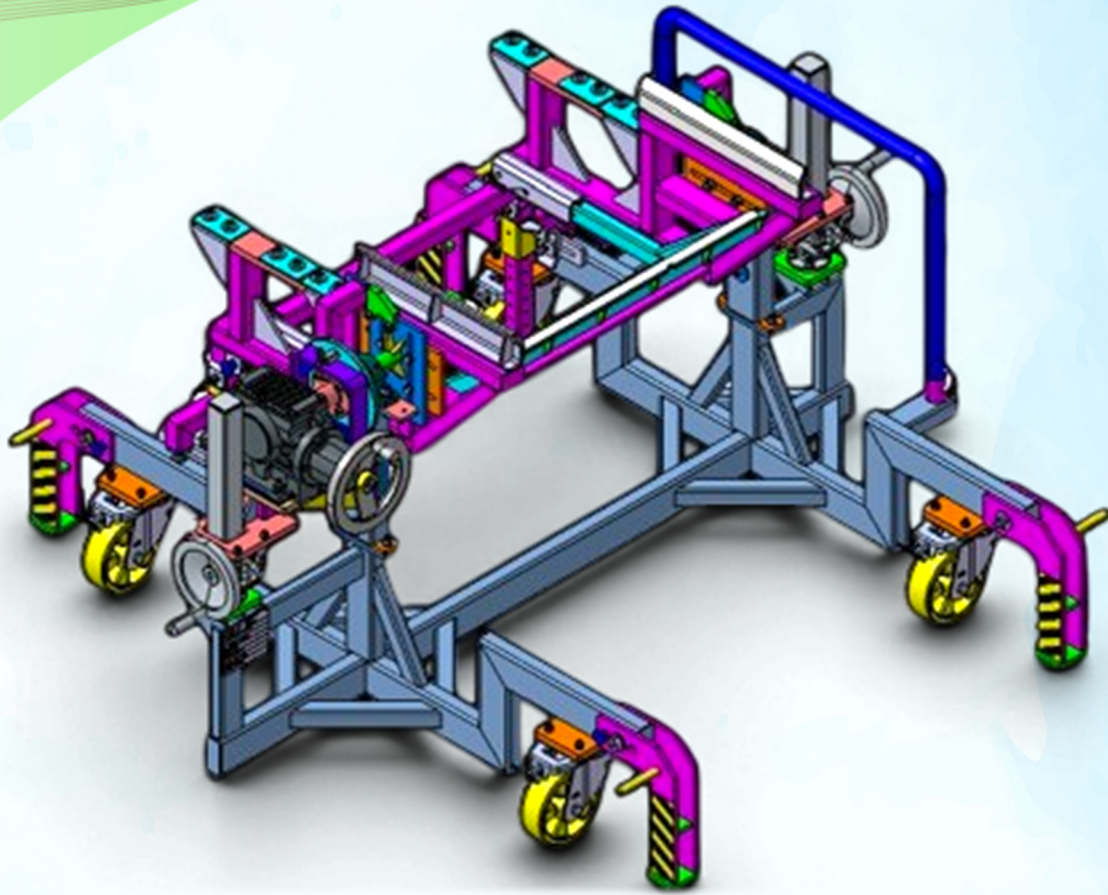
3D
CAD MODELLING

100%
CUSTOM CONFIG

MULTIPLE
PRODUCT VARIANTS

FULL
CONCEPT-TO- SPEC

ISO
INDUSTRY STANDARDS



Intergrated Tooling



PROJECT DESCRIPTION

- Design of Tooling
- After Design approval Manufacturing drawings along BOM
- All static and dynamic load calculations.
- Need to prepare Control drawings for checking
- User manuals
- Risk analysis documents need to prepared as per European safety standards



SCOPE OF WORK

- Concept design
- 3D Finish of models
- 2D detailing and BOM
- Load Calculations
- Risk Analysis
- Control drawings
- Maintenance Manuals



INPUTS

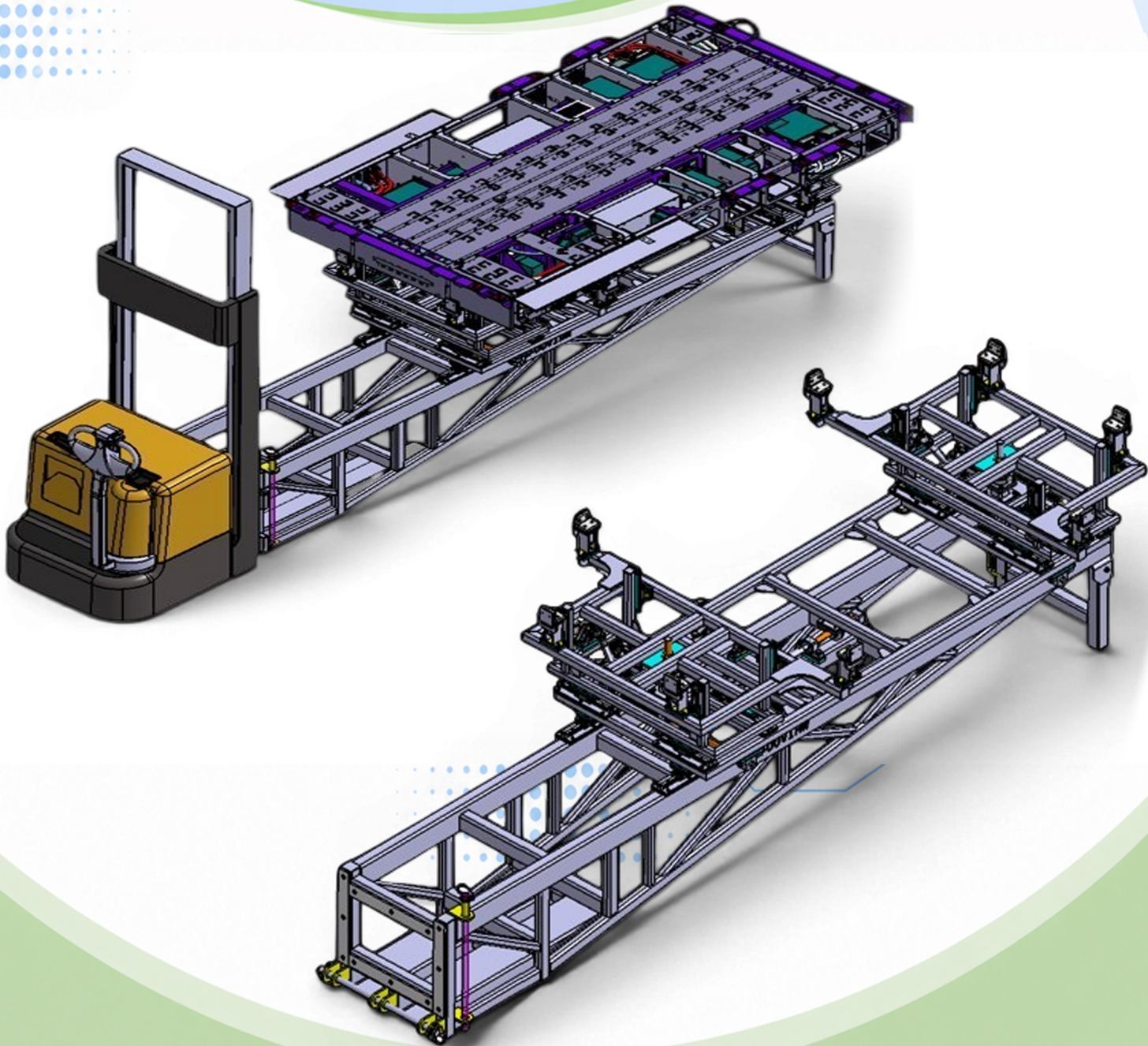
- CDC
- Boundary Conditions
- Material Spec
- Safety Standards
- Preferred Commercial parts list



CAD/CAE TOOLS

- Catia V5
- SolidWorks
- Ansys

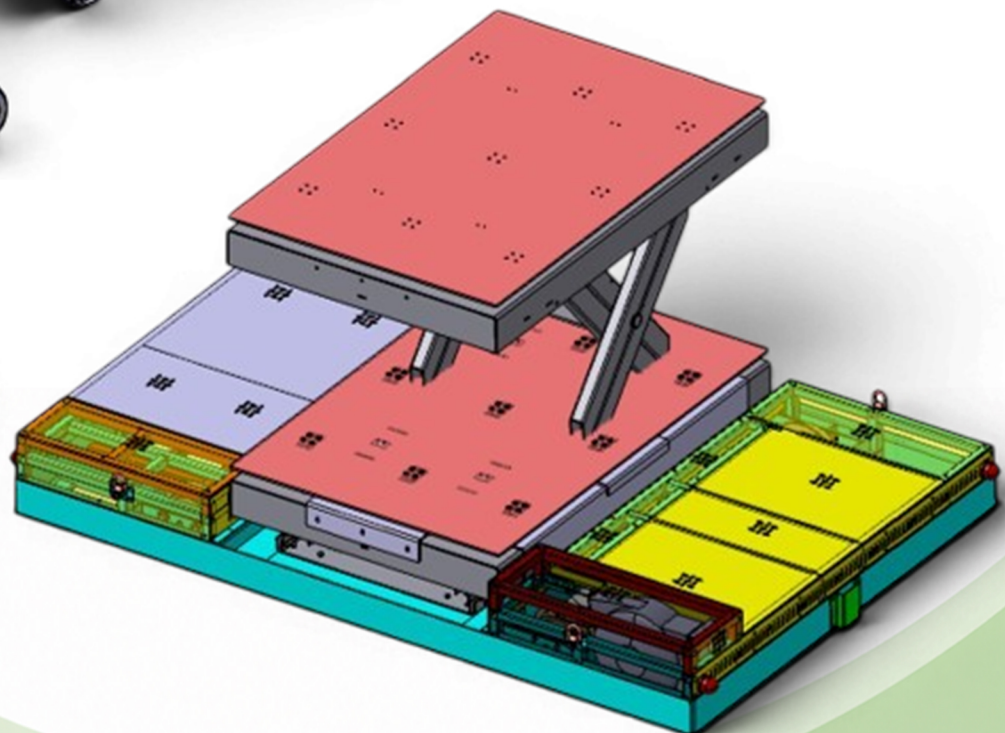
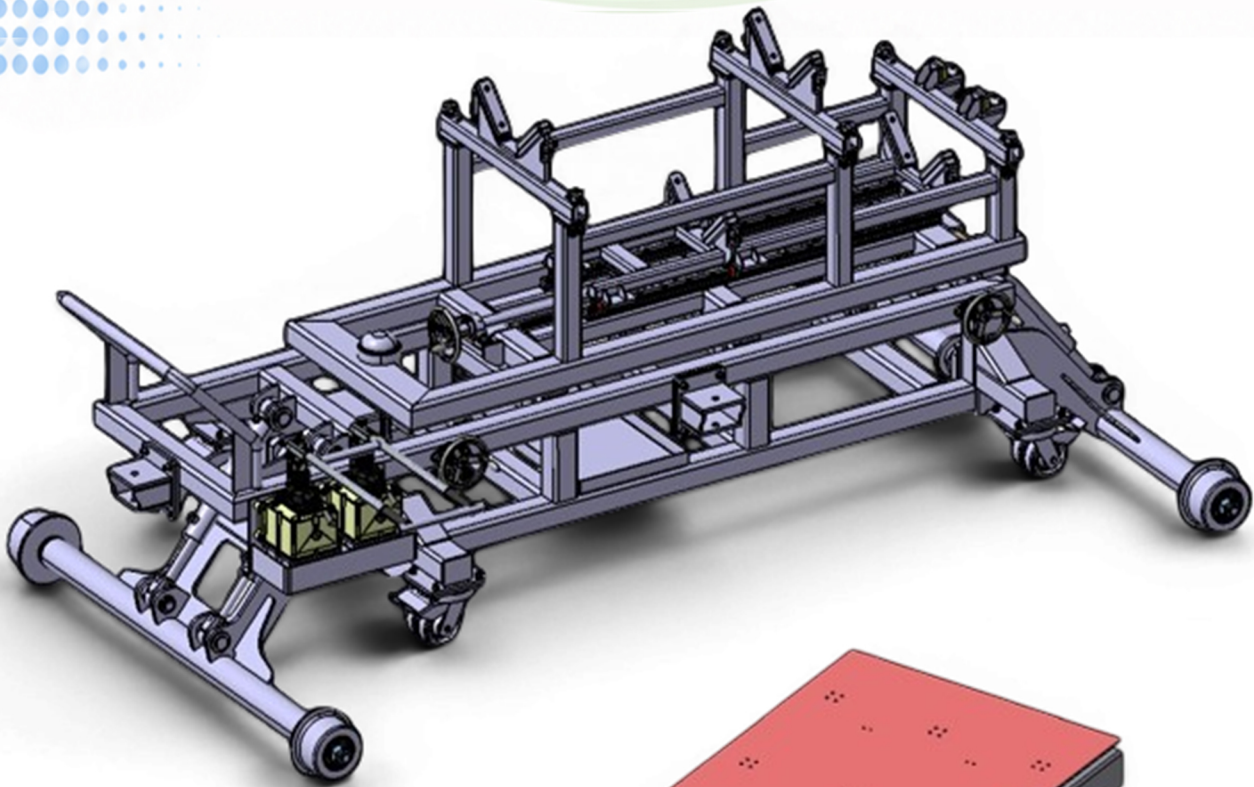
RAIL COACH Ceiling Assembly



COW CATCHER Assembly Jig

&

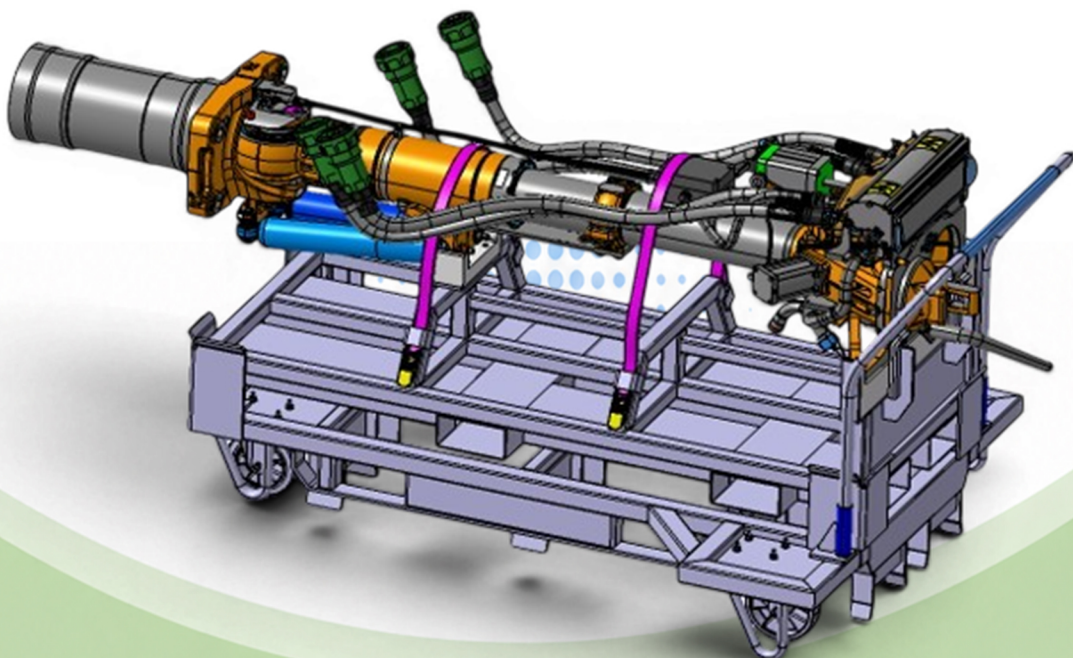
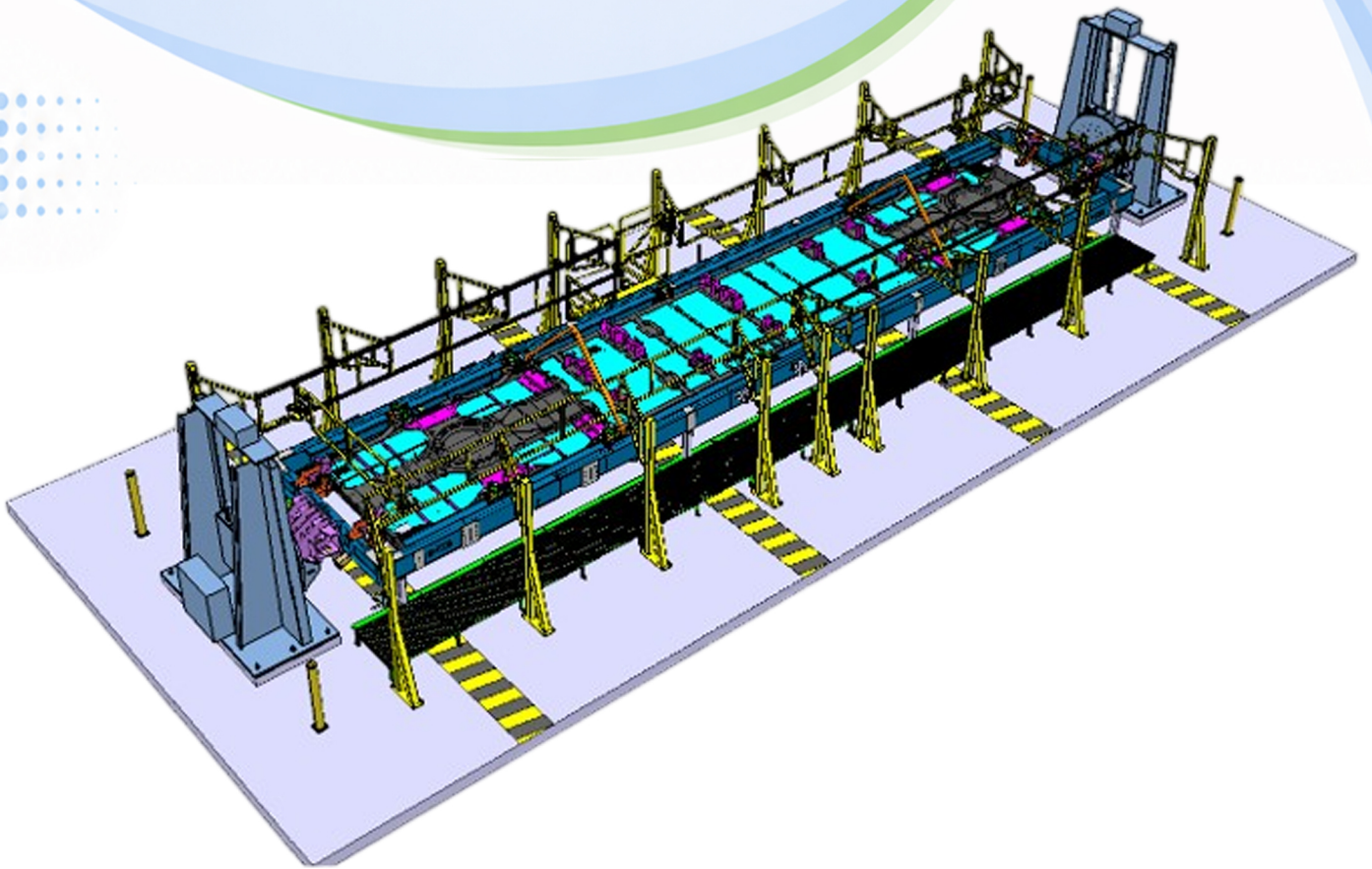
Lifting Table For CABIN



WELDING FIXTURE For Train Roof

&

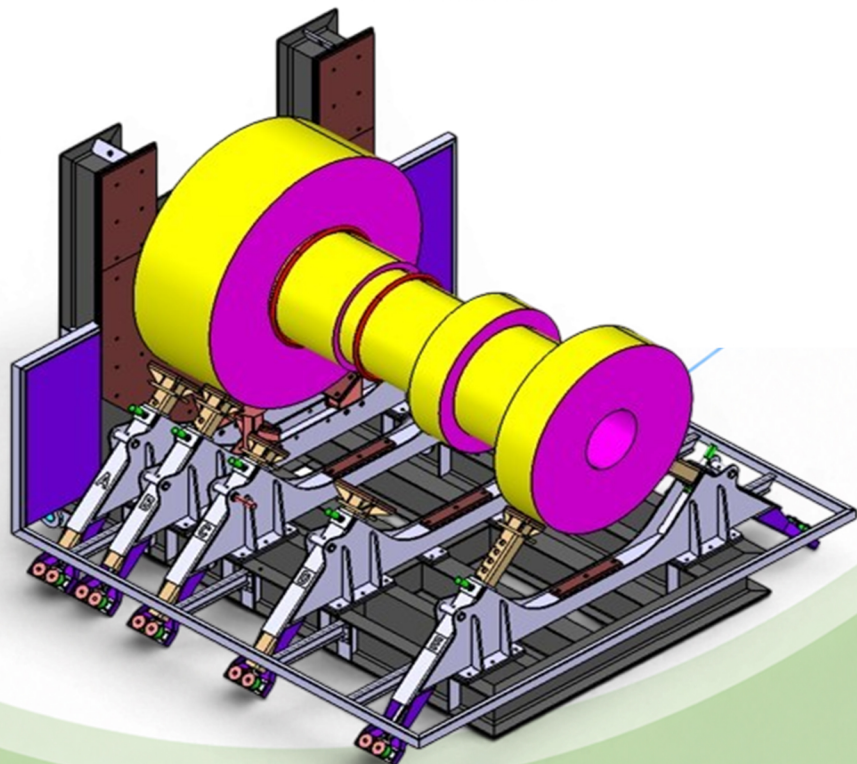
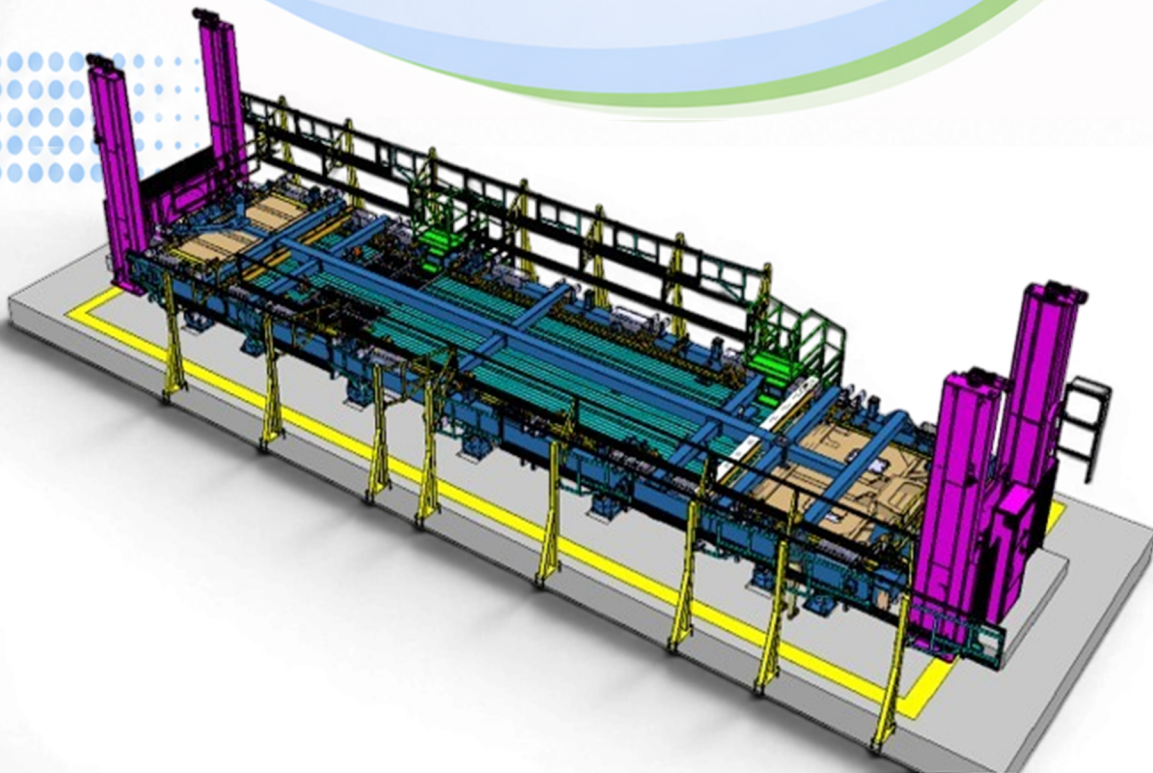
COUPLER Assembly Jig



Welding Fixture For COACH CHASIS

&

Multi TURBINE SHAFT IMPELLER Assembly



Assembly Jig For Train Coach AIR CONDITIONER



&

Transport And Assembly Rack For DRIVER CABIN

